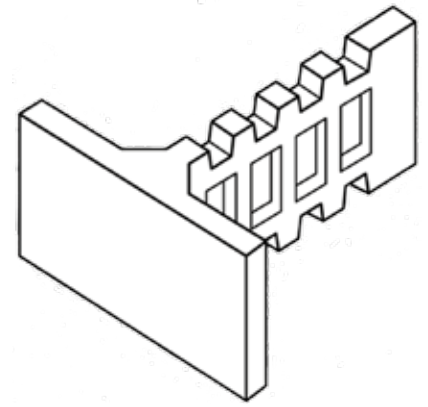


The T-WALL® Solution

PROJECT: **BNSF BRIDGES**
LOCATION: **Raton, New Mexico**



A special formliner created the “Ashlar Sandstone” look. A custom acrylic stain was applied to the wall after it was completed to make it blend with the town’s historic features.

DESCRIPTION: *These retaining walls were designed to replace walls originally built in 1949.*



OWNER: *City of Raton*

THE NEEL COMPANY

8328-D Traford Lane
Springfield, VA 22152
703-913-7858



4661 Carter Trail
Boulder, CO 80301
303-530-0500

For more information visit: www.neelco.com



10/02

T-WALL® Retaining Wall System