

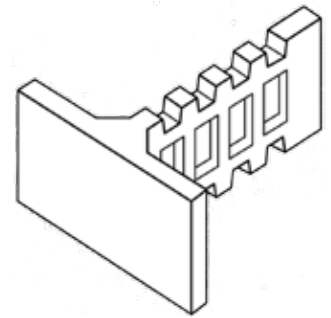
The T-WALL® Solution

PROJECT: **TELEGRAPH ROAD WIDENING**

LOCATION: *Fairfax County, VA*

DESCRIPTION: *A unique T-WALL® design and construction method was developed by The Neel Company as an alternate to an anchored retaining wall.*

OWNER: *Virginia Depart. of Transportation*



THE NEEL COMPANY 703-913-7858
8328-D Traford Lane 703-913-7859 fax
Springfield, VA 22152 www.neelco.com

10/03R

T-WALL® Retaining Wall System