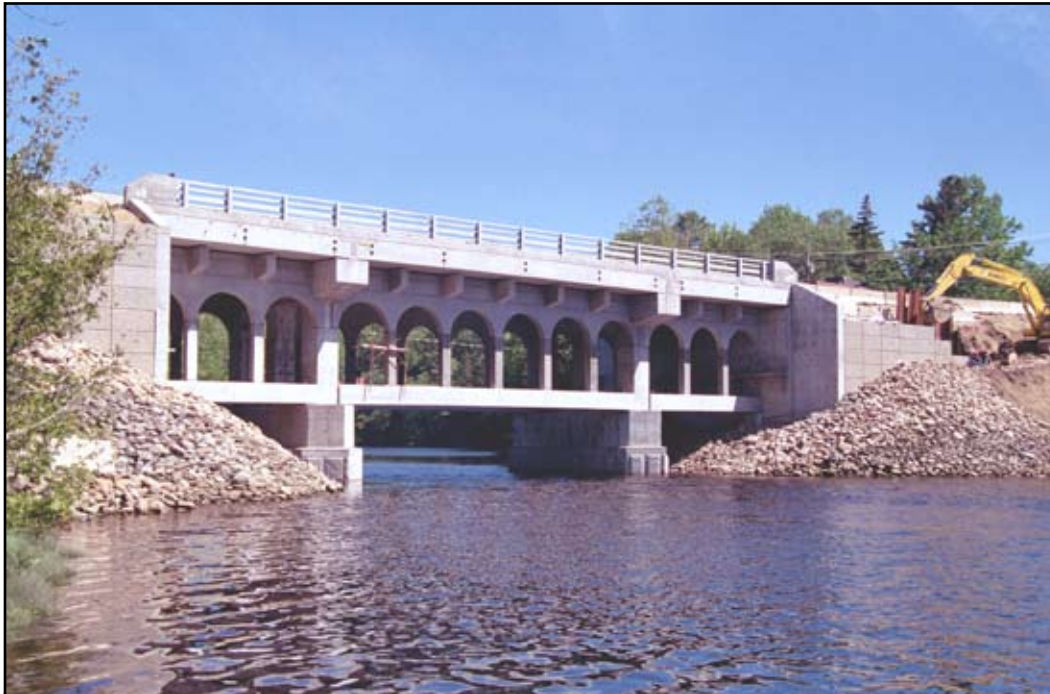
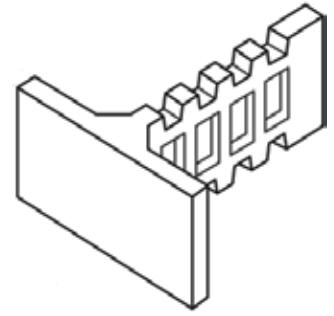


# The T-WALL® Solution

PROJECT: DUCKTRAP BRIDGE

LOCATION: Lincolnville, Maine

*DESCRIPTION: T-WALL provides the approach to this architecturally interesting bridge. Exposed aggregate gives the wall its attractive finish. This bridge is the winner of the Concrete Award 2000 - "Heavy Construction" category given by the New England Chapter of ACI.*



**THE NEEL COMPANY**

8328-D Traford Lane  
Springfield, VA 22152  
703-913-7858

[www.neelco.com](http://www.neelco.com)

T-WALL® Retaining Wall System

02/02