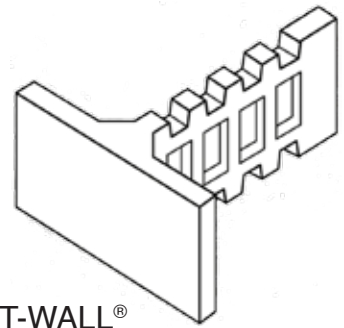


The T-WALL® Solution



PROJECT: **ROUTE 29**
SECTIONS 10C & 11B



T-WALL®
Retaining Wall System

LOCATION: TRENTON, NJ

OWNER: NEW JERSEY DOT

T-WALL MANUFACTURER:
THE FORT MILLER CO.



ARCHITECTURAL FINISH:
FRACTURED FIN & PLAIN FINISH



THE NEEL COMPANY
8328-D Traford Lane
Springfield, VA 22152
703-913-7858

